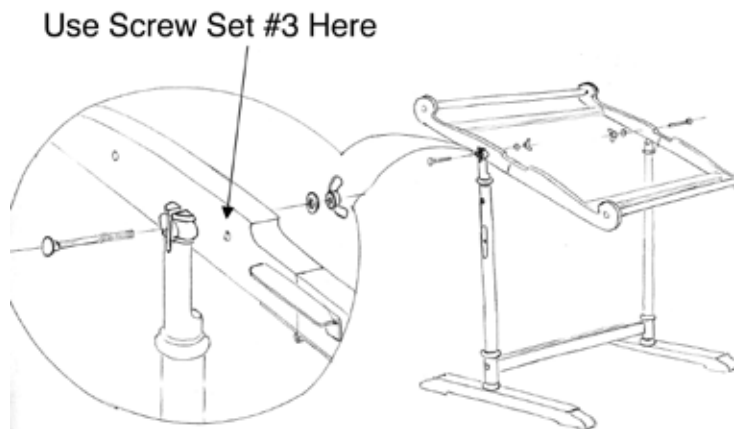
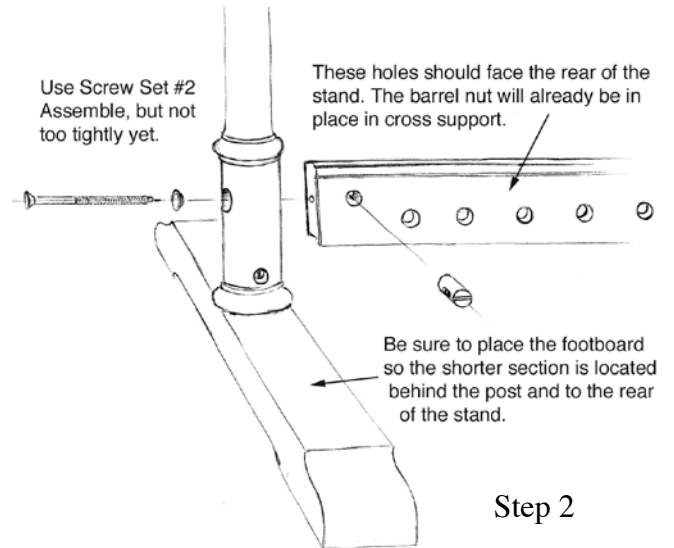
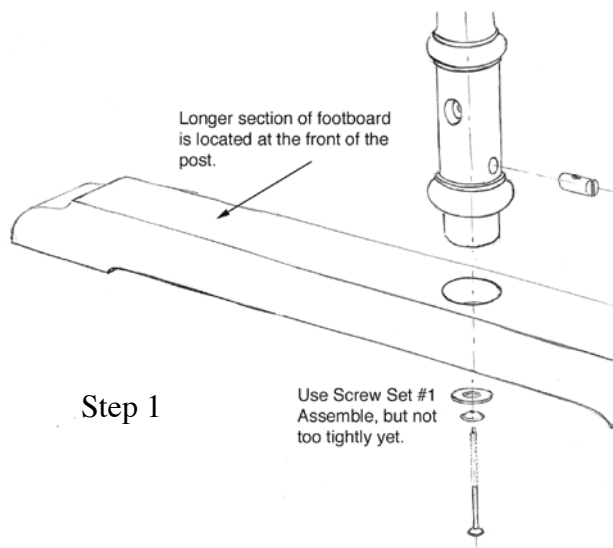
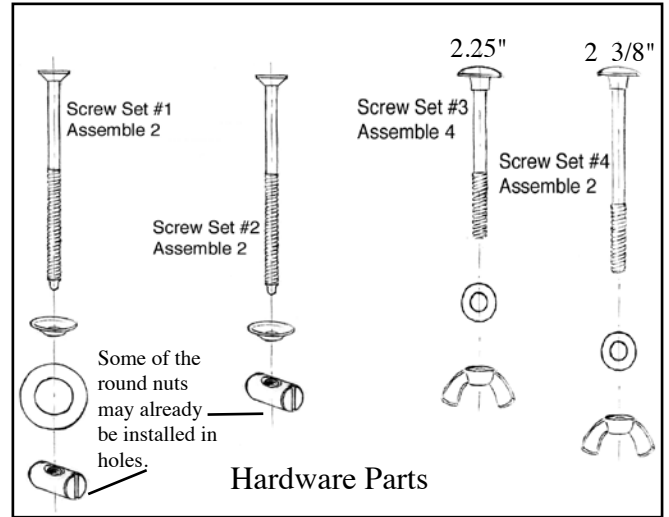


Kromski Harp Floor Stand Instructions

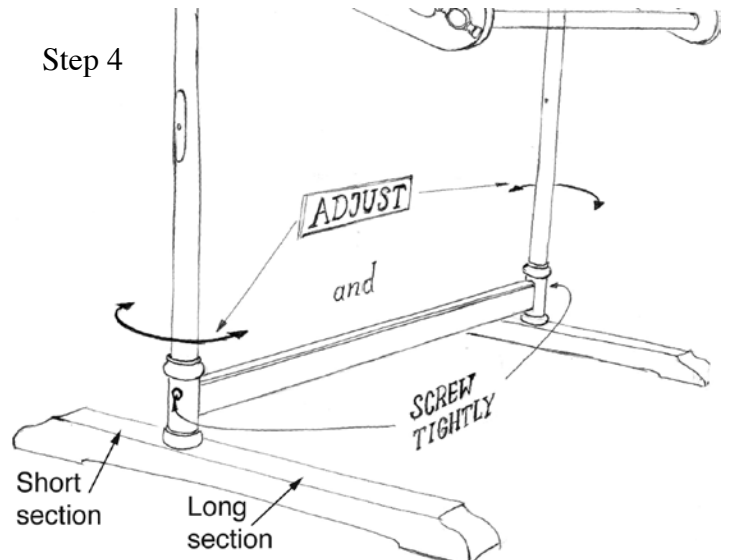
Parts List

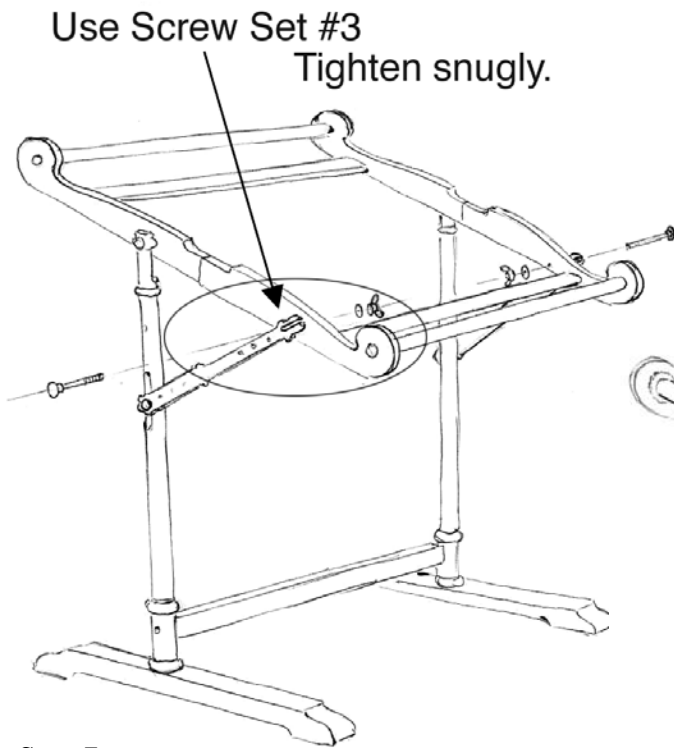
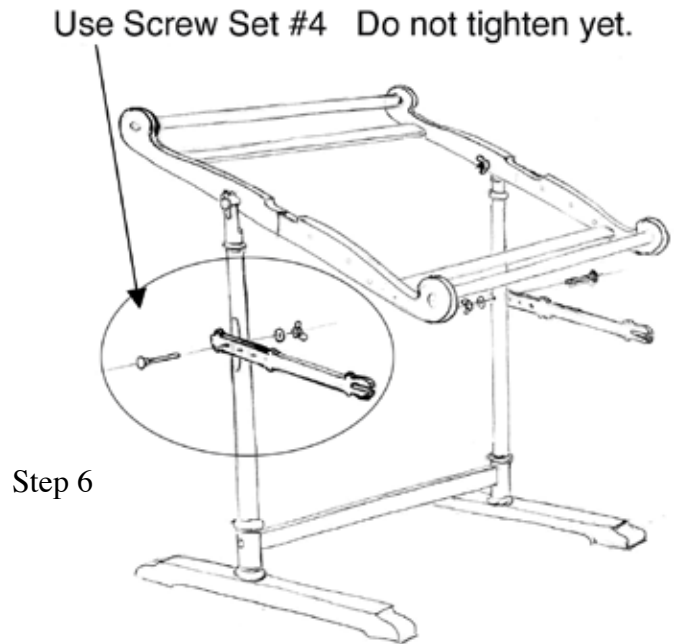
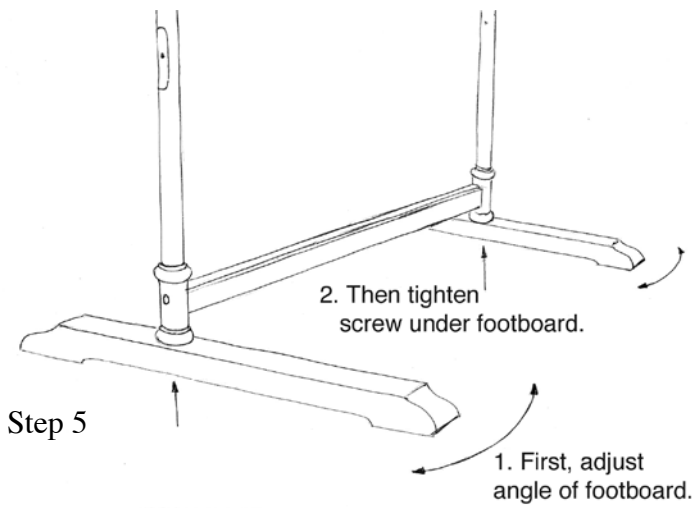
- 2 - upright post - identical; not left or right
- 2 - footboard
- 2 - angle brace
- 1 - cross member brace
- hardware - see pictures at right for type and counts

- Tool required: a 4mm hex (allen) wrench
- Pegs shown in Step 8 are the warping pegs you received with your Harp loom.

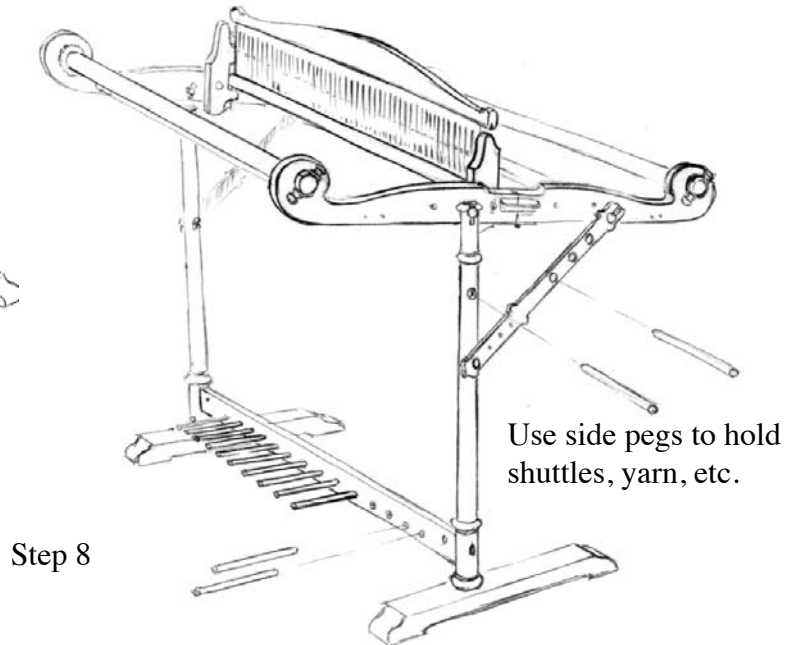


If you intend to use double heddles, you will need to reverse the direction of these two bolts so the wing nut is on the outside.





Adjust the angle of the loom by using a different hole on the angle brace where it attaches to the upright post, then tighten.



If you have any questions about assembly, call your dealer.